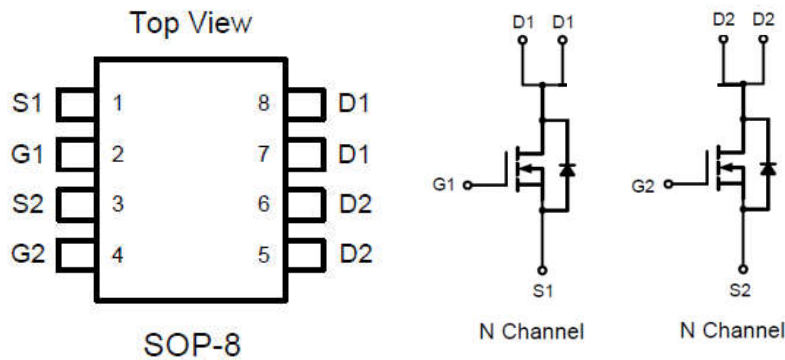




Description

The CX3203 uses advanced trench technology to provide excellent $R_{DS(ON)}$ and low gate charge. The complementary MOSFETs may be used to form a level shifted high side switch, and for a host of other applications.

Pin Description



Featuration

- N-Channel
36V/7A,
 $R_{DS(ON)}=20m\Omega$ (MAX.) @ $V_{GS}=10V$
 $R_{DS(ON)}=30m\Omega$ (MAX.) @ $V_{GS}=4.5V$
- Super High Dense Cell Design
- Reliable and Rugged

Applications

- Power Management in Notebook Computer
- Portable Equipment
- Battery Powered Systems